

OSKAR

air products

www.oskarairproducts.com • info@oskarairproducts.com

Stainless Steel Fume Arm - Duct dia.75 mm, reach 1,0 m

- W02-SS-0715**
- Hood inlet dia.160mm.
 - Hanging model.

Standard construction:

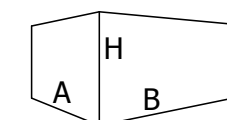
- nominal airflow 200-350 m³/h
- all adjustments on the outside
- stainless steel hood with air diverter
- grab handle around the hood
- aluminum hood joints
- middle and swivel steel joints
- aluminum and stainless steel mounting swivel
- smooth stainless steel tubes
- stainless steel built-in air damper
- black PVC flexible hoses (temperature resistance up to 80°C)
- grade 304 stainless steel

Accessories and options:

- mounting bracket WSS-075 stainless steel
- connection flange Ø75mm stainless steel
- grounding option - all metal parts hood, tubes, mounting swivel connected with grounding wires
- set of PUR food grade flexible hoses with hygienic certificate
- set of electrically conductive flexible hoses
- hood with light set

Notes:

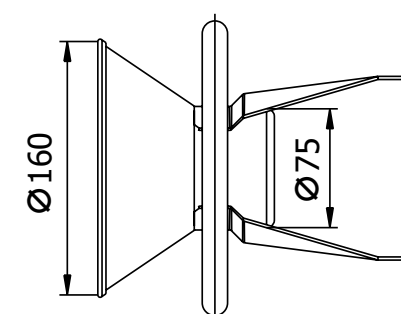
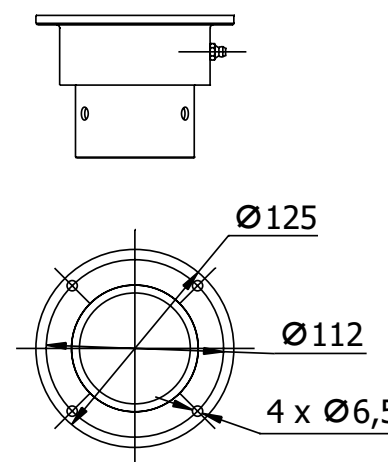
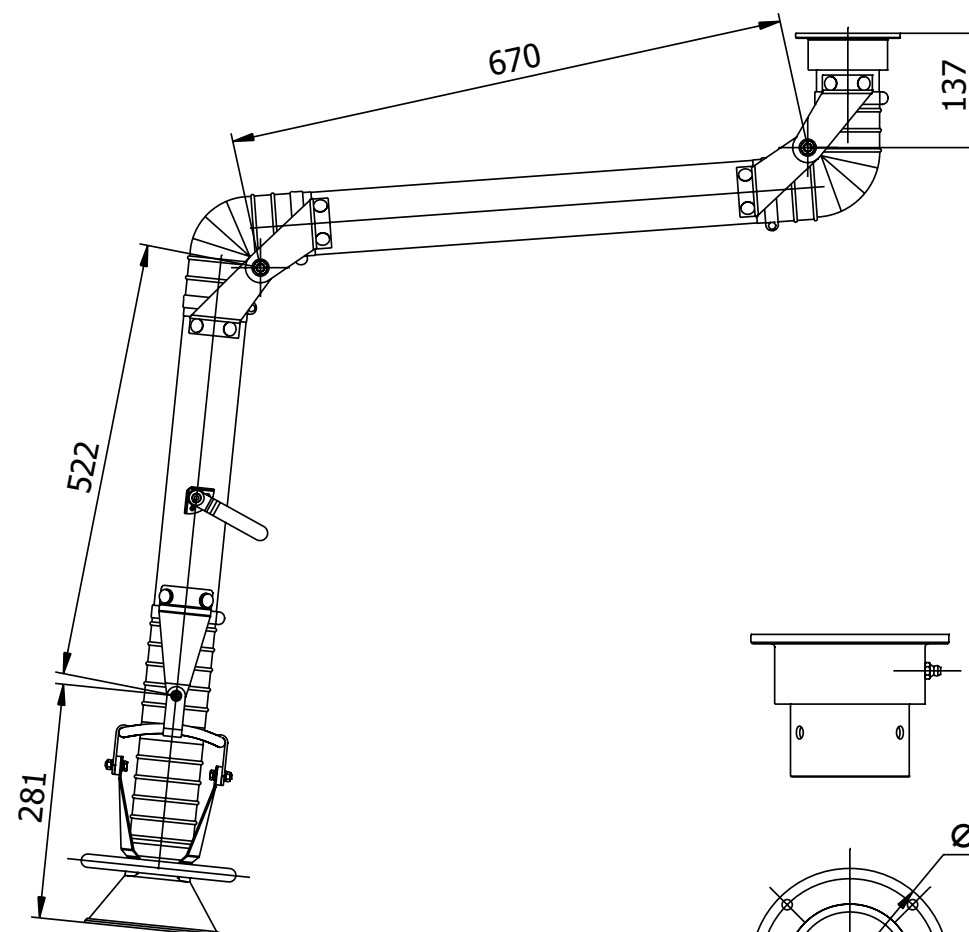
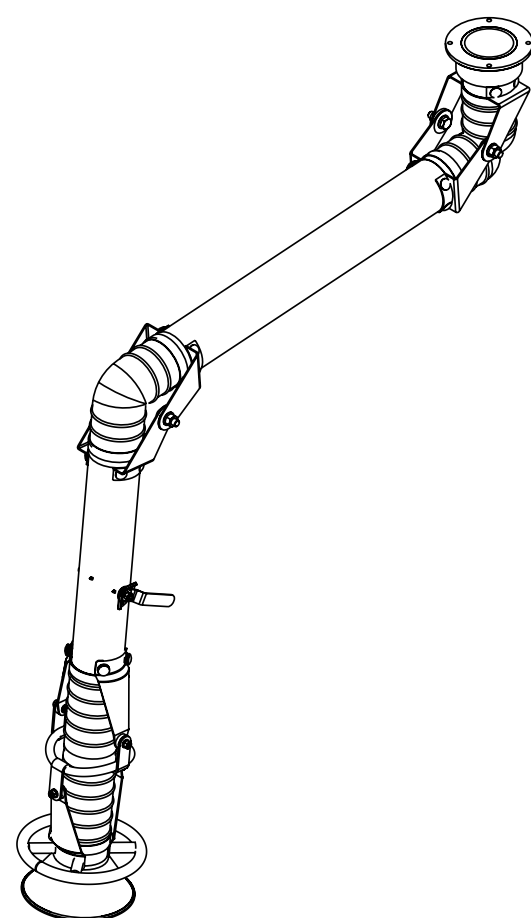
The method of packing and carton sizes:



A = 230
B = 920
H = 330
weight = 6 kg

All dimensions are given in **mm**.

Menegon Sp z o.o.
Mokry Dwór 6C, 80-021 Wiślina, Polska
tel.: +48 58 3012838, fax +48 58 3059324
info@menegon.com.pl, www.menegon.com.pl



All rights reserved. This document including constructional and technical information as well as Oskar Air Products, Menegon and czystepowietrze.pl trademarks and brand names are law protected and are property of Menegon Sp.o.o.