

OSKAR

air products

www.oskarairproducts.com • info@oskarairproducts.com

ECON 1620P Hose Arm - Duct dia.160 mm, reach 2,0 m

- W02-HA-1620P**
- Hood inlet dia. 315 mm.
 - Standing model.

Standard construction:

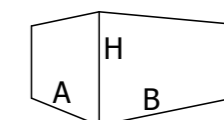
- nominal airflow 800-1000 m³/h
- all adjustments on the inside
- aluminum hood with plastic handle
- built-in aluminum air damper
- aluminum and steel mounting swivel
- black PVC flexible hoses (temperature resistance up to 80 °C)

Accessories and options:

- mounting bracket WS-160
- mounting bracket WSD-160 (extended version)
- connection flange Ø150 mm steel
- connection flange Ø160 mm steel

Notes:

The method of packing and carton sizes:



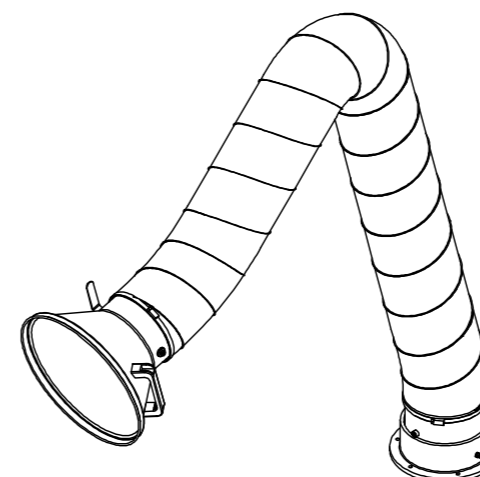
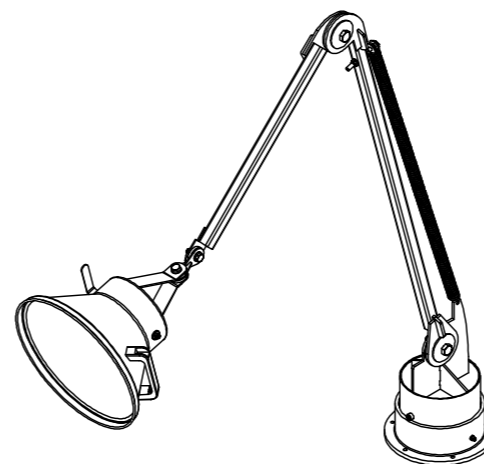
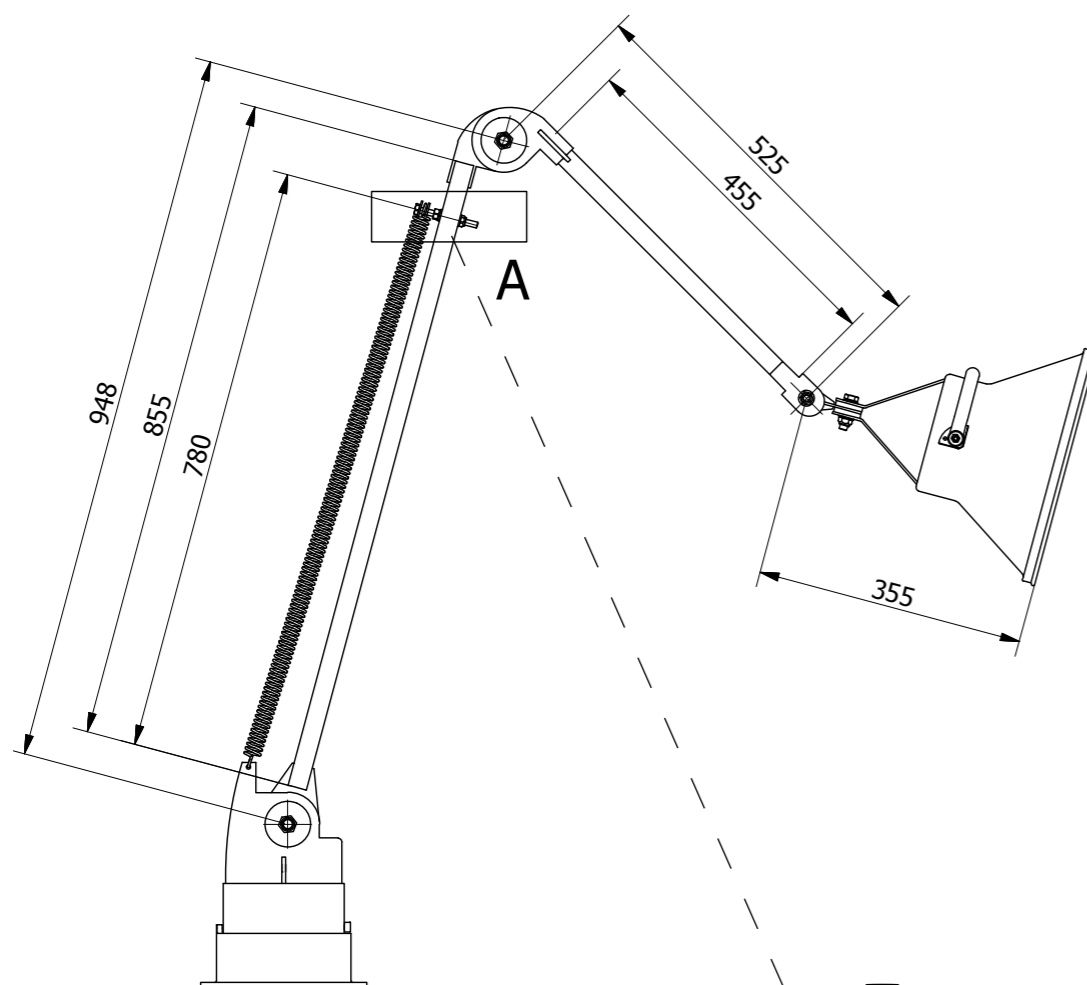
A = 360 mm
B = 1300 mm
H = 650 mm
weight = 14,5 kg

All dimensions are given in **mm**.

Menegon Sp z o.o.
Mokry Dwór 6C, 80-021 Wiślnia, Polska
tel.: +48 58 3012838, fax +48 58 3059324
info@menegon.com.pl, www.menegon.com.pl



All rights reserved. This document including constructional and technical information as well as Oskar Air Products, Menegon and czystepowietrze.pl trademarks and brand names are law protected and are property of Menegon Sp. z o.o



A (1:1)

