

ZWR EXTRACTION FANS – ALUMINIUM IMPELLERS IN STEEL HOUSINGS

ZWR fans have been designed to work with Oskar Air Products source capture devices as well as with clean or polluted air extraction installations. Aluminium impellers enclosed in steel powder coated housings ensure high airflow efficiency and spark-proof design. ZWR fan units are used to exhaust non-explosive and chemically non-aggressive gases of temperatures up to 40°C. ZWR extraction fans are perfect for fume and dust extraction especially with Oskar at-point extraction products such as fume extraction arms, extension booms, sliding rails, car exhaust hose reels or hose drops.

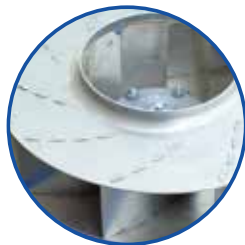


ZWR-03

ZWR-04

ZWR-05

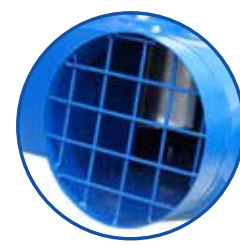
Type	Nominal airflow [m³/h]	Power [kW]	Power supply V / [Hz]	Rotation [RPM]	Protection	Noise level [dB(A)]
ZWR-03	1000	0,75	3x400 V / 50	2780	IP 54	77
ZWR-04	1500	1,1	3x400 V / 50	2760	IP 54	79
ZWR-05	2000	2,2	3x400 V / 50	2800	IP 54	80



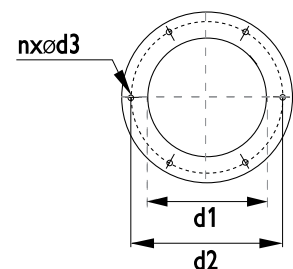
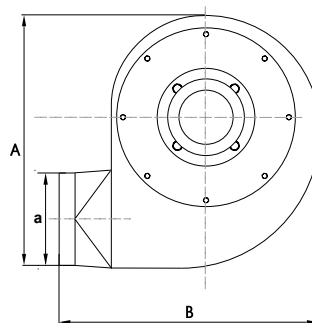
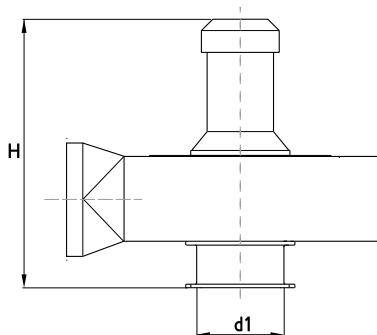
Aluminium backward inclined blade radial impellers



Smooth cones and protective mesh on inlet

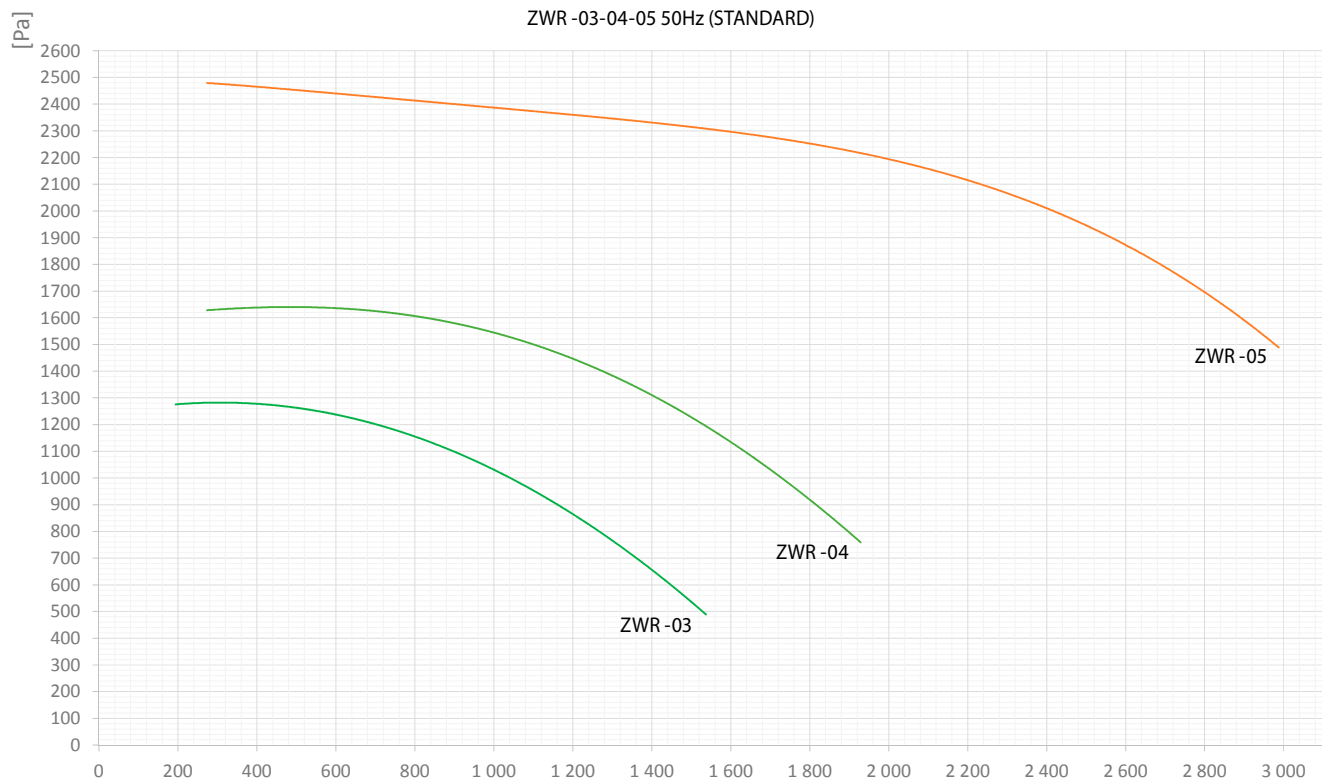


Outlet protective mesh

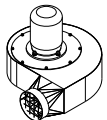


Type	A	B	H	d1	a	n	d2
ZWR-03	513	575	427	157	158	6	195
ZWR-04	577	635	481	157	198	6	195
ZWR-05	651	691	492	197	198	8	246

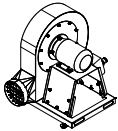
2016-05-12



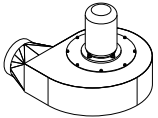
ZWR-03 0,75 KW



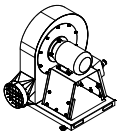
- 302-15-0001 ZWR-03 extraction fan, nominal airflow 1000 m³/h, inlet diam. 160 mm, outlet diam. 160 mm, motor 0,75 kW 400 V 3 phase (single phase motor on request), without motor switch
- 302-15-0002 ZWR-03 extraction fan on portable stand, nominal airflow 1000 m³/h, inlet diam. 160 mm, outlet diam. 160 mm, motor 0,75 kW 400 V 3 phase (single phase motor on request), motor switch included
- P07-01-0004 Mounting bracket WS-160
- P07-01-0013 Mounting bracket WSD-160 (longer version)
- 100042 Motor on/off switch with thermal overload protection 1,6-2,5A
- 230016 Set of transport wheels ZWR



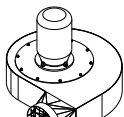
ZWR-04 1,1 KW



- 302-20-0001 ZWR-04 extraction fan, nominal airflow 1500 m³/h, inlet diam. 160 mm, outlet diam. 200 mm, motor 1,1 kW 400 V 3 phase (single phase motor on request), without motor switch
- 302-20-0002 ZWR-04 extraction fan on portable stand, nominal airflow 1500 m³/h, inlet diam. 160 mm, outlet diam. 200 mm, motor 1,1 kW 400 V 3 phase (single phase motor on request), motor switch included
- P07-01-0013 Mounting bracket WSD-160 (longer version)
- 100043 Motor on/off switch with thermal overload protection 2,5-4A
- 230016 Set of transport wheels ZWR



ZWR-05 2,2 KW



- 302-30-0001 ZWR-05 extraction fan, nominal airflow 2000 m³/h, inlet diam. 200 mm, outlet diam. 200 mm, motor 2,2 kW 400 V 3 phase, without motor switch
- 302-30-0002 ZWR-05 extraction fan on portable stand, nominal airflow 2000 m³/h, inlet diam. 200 mm, outlet diam. 200 mm, motor 2,2 kW 400 V 3 phase (single phase motor on request), motor switch included
- P07-01-0005 Mounting bracket WS-200
- 100044 Motor on/off switch with thermal overload protection 4-6,3A
- 230016 Set of transport wheels ZWR

