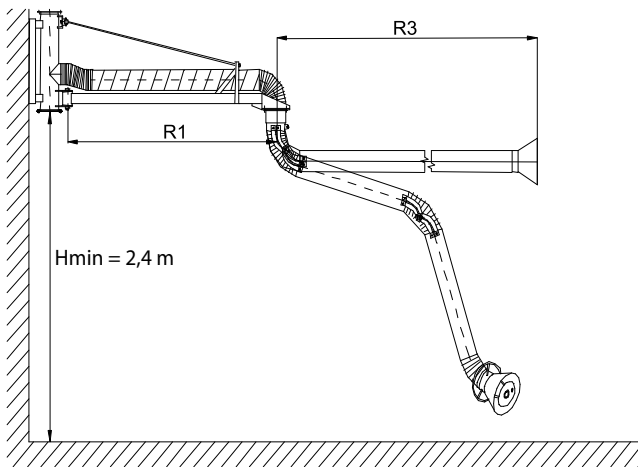
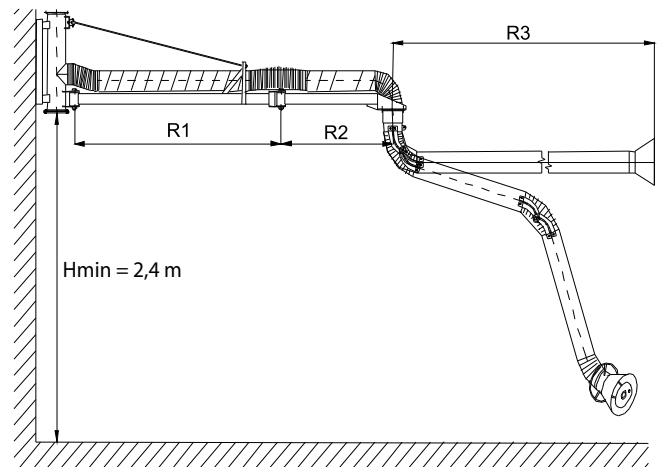


EXTENSION BOOMS 200

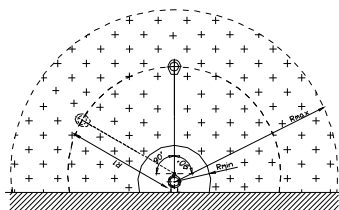
Oskar's swinging extension booms are designed to enlarge the reach of self-supporting arms or other exhaust products like hose reels and flexible hose drops. The extension boom helps reaching areas distant from a wall or mounting point. They can also be used to support items such as feeders or underslung hoses or cables. Top and bottom outlet of boom wall mounting bracket is ready to accept a fan or duct connection. The extension beams are manufactured of heavy gauge square steel tube welded to heavy duty hinge. As a standard all units are supplied with an inlet bracket to mount Oskar fume arms. Double pivot type extension booms are divided by a centre hinge which allows the user to reach back under the extension boom or just simply to reach around the corner. There are no internal mechanisms within boom duct which allows lowest pressure drop as well as low noise level. All adjustments mechanisms are designed on the outside of the boom. Oskar extension booms are heavy duty products of remarkable reliability and operational life time.



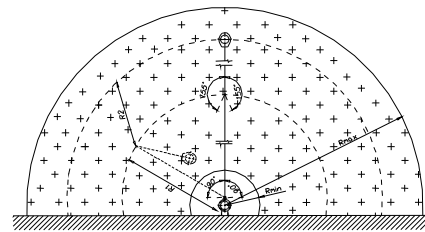
Single pivot boom



Double pivot boom



Working radius single pivot



Working radius double pivot

Model Ø200	R1 [m]	R2 [m]	R3 max [m]	Weight [kg]
20200	2 m	-	4	90
30200	3 m	-	4	103
40200	4 m	-	4	119
50200	5 m	-	4	132
60200	6 m	-	4	145
21200	2 m + 1 m	1,1	3	106
22200	2 m + 2 m	1,8	3	116
31200	3 m + 1 m	1,1	3	117
32200	3 m + 2 m	1,8	3	127
41200	4 m + 1 m	1,1	3	129
42200	4 m + 2 m	1,8	3	139

2016-05-12

APPLICATION

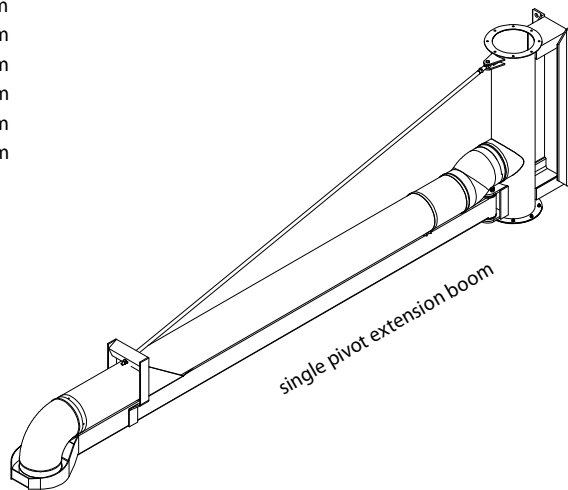
- welding, grinding, polishing, packaging, cutting, automotive fumes, oil mist and smoke,
- standard temperature resistance up to 80°C
- recommended airflow range 1400±2500 m³/h

CONSTRUCTION

- galvanized spiral tube on the support beam
- heavy duty steel closed profile support beams with metal counter support rod and inlet socket for 200 series extraction arms
- all supports and adjustments on the outside
- welded steel boom mounting bracket with top or bottom outlets
- rigid bearings with friction discs
- black PVC flexible hoses (temperature resistance up to 80°C)

SINGLE PIVOT EXTENSION BOOMS 200

301101344	Single pivot extension boom 10200 - reach 1 m
301101345	Single pivot extension boom 20200 - reach 2 m
301101346	Single pivot extension boom 30200 - reach 3 m
301101347	Single pivot extension boom 40200 - reach 4 m
301101348	Single pivot extension boom 50200 - reach 5 m
301101349	Single pivot extension boom 60200 - reach 6 m



DOUBLE PIVOT EXTENSION BOOMS 200

301101356	Double pivot extension boom 21200 - reach 2 m + 1 m
301101357	Double pivot extension boom 22200 - reach 2 m + 2 m
301101358	Double pivot extension boom 31200 - reach 3 m + 1 m
301101359	Double pivot extension boom 32200 - reach 3 m + 2 m
301101360	Double pivot extension boom 41200 - reach 4 m + 1 m
301101361	Double pivot extension boom 42200 - reach 4 m + 2 m

