

**BOXAIR M2 – MOBILE COMPACT FILTER**

Boxair M2 is a mobile filter unit designed for extraction and filtration of fumes and dust created mainly during welding processes. Boxair M2 allows at-source air pollution capture thanks to use of fume extraction arm Econ or Oskar 160 series. Filter set consist of a metal mesh pre-filter and F9 class disposable main compact filter.

APPLICATION

- sporadic use where there is no need of constant exhaust operation
- dry dusts or fumes capture and filtration especially at welding, grinding, cutting and many more processes (excluding corrosive, chemically aggressive, explosive and flammable gaseous mixtures)

CONSTRUCTION

- aluminium impeller 2,2 kW fan unit
- two stage filtration
- filter indicator
- steel, welded and powder coated construction
- two Econ 160 or Oskar 160 fume arms



two 160 mm inlets



power cord holder



pre-filter

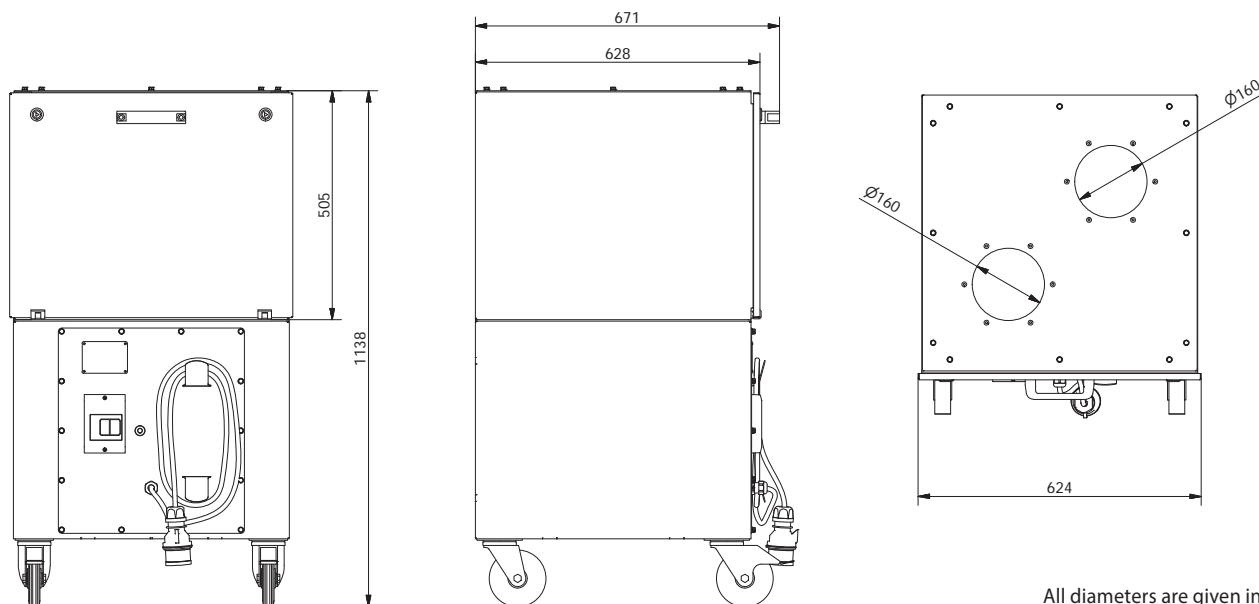
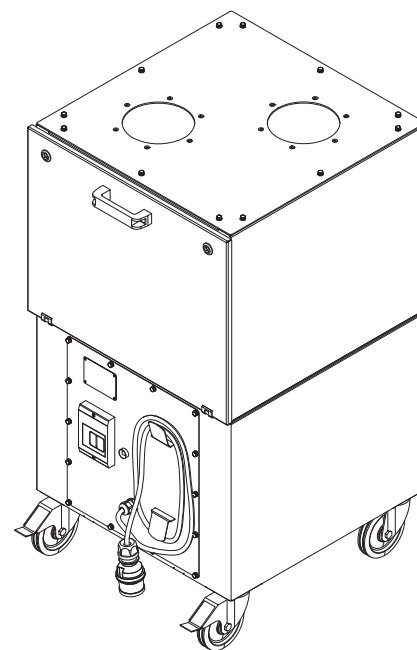


main filter

2016-10-19

## TECHNICAL DATA

Airflow	2000 m <sup>3</sup> /h
Fan	2,2 kW
Fan rotation speed	2800 RPM
Standard power supply	3x 400 V +N+PE / 50Hz
Current Rating	4,55 A
Weight without arm	90 kg
Noise level	78 dB(A)
Filtration efficiency	95% @ 0,4 µm
Pre-filter	metal mesh
Main filter	F9 (17 m <sup>2</sup> )



All diameters are given in mm

## BOXAIR M2 – MOBILE FILTER UNIT FOR TWO ARMS

303101663 Mobile filter unit Boxair M2, nominal efficiency 2000 m<sup>3</sup>/h, including metal mesh spark trap, filter cassette F9, motor 2,2 kW, 400 V, 3 phase.

## BOXAIR M2 – ARMS AND OPTIONS

W02-HA-1620P	2 hose arms 2 m, hood inlet Ø315 mm
W02-01-1620P	2 Oskar fume arms 1620P, reach 2 m, hood inlet Ø315 mm
P02-80-0201	MOD-L - light kit option with transformer for two Oskar arms

## BOXAIR M2 – SPARE PARTS

241377	Cassette filter F9
242207	Metal mesh spark trap
M03-23-0004	Swivel caster with brake 125
M03-23-0003	Swivel caster without brake 125