

BOXAIR M1 – MOBILE COMPACT FILTER

Boxair M1 is a mobile filter unit designed for extraction and filtration of fumes and dust created mainly during welding processes. Boxair M1 allows at-source air pollution capture thanks to use of fume extraction arm Econ or Oskar 160 series. Filter set consist of a metal mesh pre-filter and F9 class disposable main compact filter.

APPLICATION

- sporadic use where there is no need of constant exhaust operation
- dry dusts or fumes capture and filtration especially at welding, grinding, cutting and many more processes (excluding corrosive, chemically aggressive, explosive and flammable gaseous mixtures)

CONSTRUCTION

- aluminium impeller 1,1 kW fan unit
- two stage filtration
- filter indicator
- steel, welded and powder coated construction
- Econ 160 or Oskar 160 fume arms



pre-filter

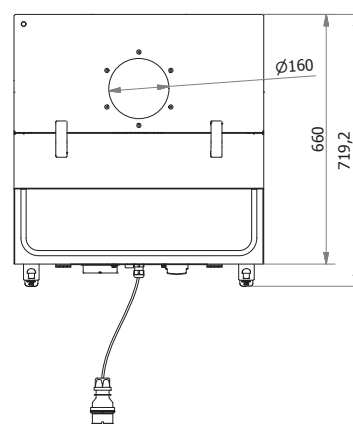
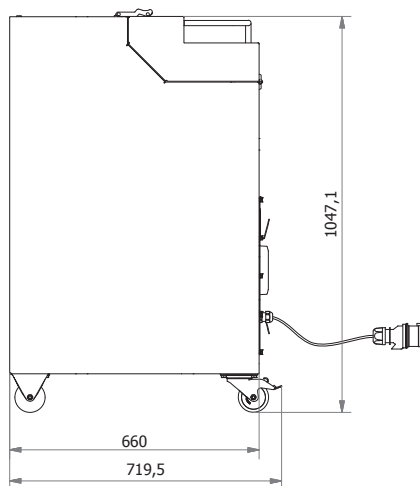
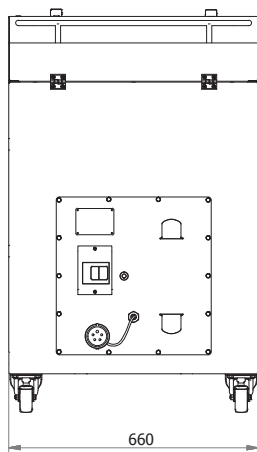
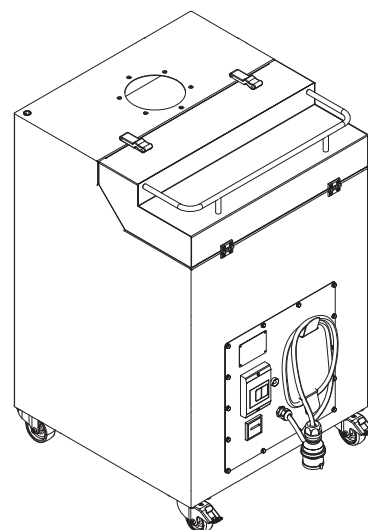


main filter



TECHNICAL DATA

Airflow	1000 m ³ /h
Fan	1,1 kW
Fan rotation speed	2800 RPM
Standard power supply	3x 400 V +N+PE / 50 Hz
Current Rating	2,7 A
Weight without arm	90 kg
Noise level	68 dB(A)
Filtration efficiency	95% @ 0,4 µm
Pre-filter	metal mesh
Main filter	F9 (11 m ²)



All diameters are given in mm

BOXAIR M1 – MOBILE FILTER UNIT FOR ONE ARM

303 101 593 Mobile filter unit Boxair M1, nominal efficiency 1000 m³/h, including metal mesh spark trap, filter cassette F9, motor 0,75 kW, 400 V, 50 Hz.

BOXAIR M1 – ARMS AND OPTIONS

- W02-HA-1620P Hose arm 2 m, hood inlet Ø315 mm
- W02-HA-1630P Hose arm 3 m, hood inlet Ø315 mm
- W02-01-1620P Oskar fume arm 1620P, reach 2 m, hood inlet Ø315 mm
- W02-01-1630P Oskar fume arm 1630P, reach 3 m, hood inlet Ø315 mm
- P02-80-0101 MOD-L - light kit option with transformer for one Oskar arm

BOXAIR M1 – SPARE PARTS

- 242205 Cassette filter F9
- 242177 Metal mesh spark trap
- 241344 Swivel caster with brake 80
- 241345 Fixed wheel 80