

# OSKAR

air products

www.oskarairproducts.com • info@oskarairproducts.com

## ZWR-05 - 50 Hz fan unit

302-30-0001 • fan 2,2 kW, 50 Hz, 3-phase, 400 V

### Standard construction:

- impeller with backward inclined blades
- powder coated welded steel housing
- direct gas mixture temperature up to 40°C

### Parameters:

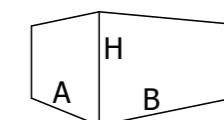
power supply:	400V / 50Hz
motor power:	2,2 kW
nominal airflow:	2000 m <sup>3</sup> /h
rotation:	2800 RPM
insulation class:	F
protection:	IP54

### Accessories:

- Mounting bracket WS-200
- Motor on/off switch

### Notes:

### The method of packing and carton sizes:



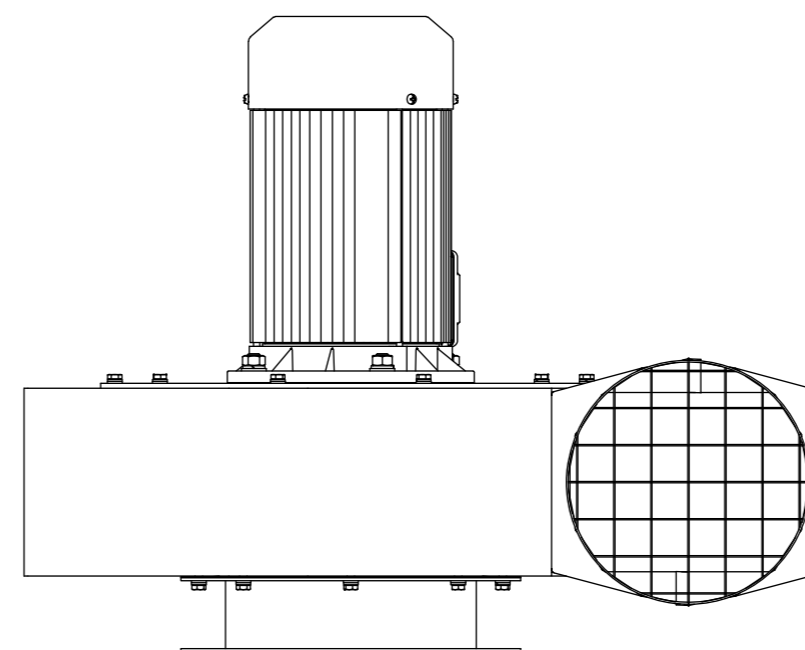
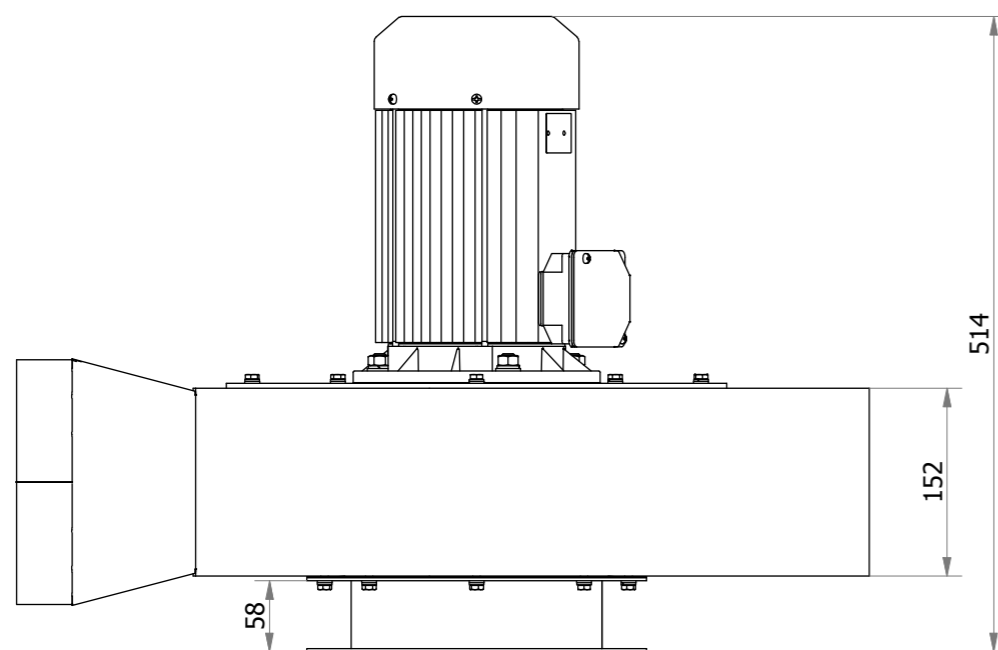
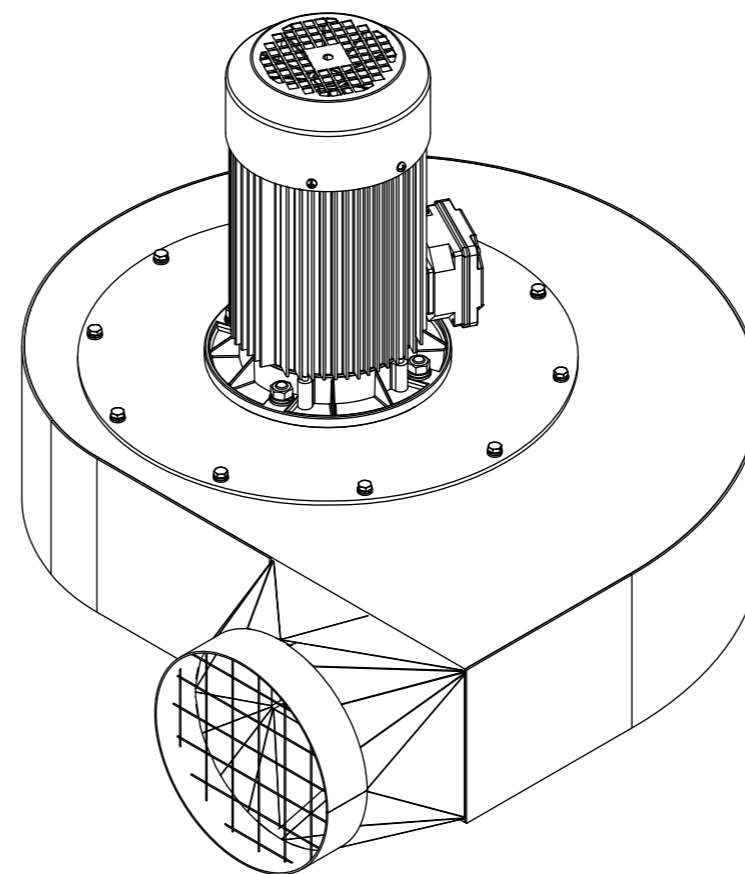
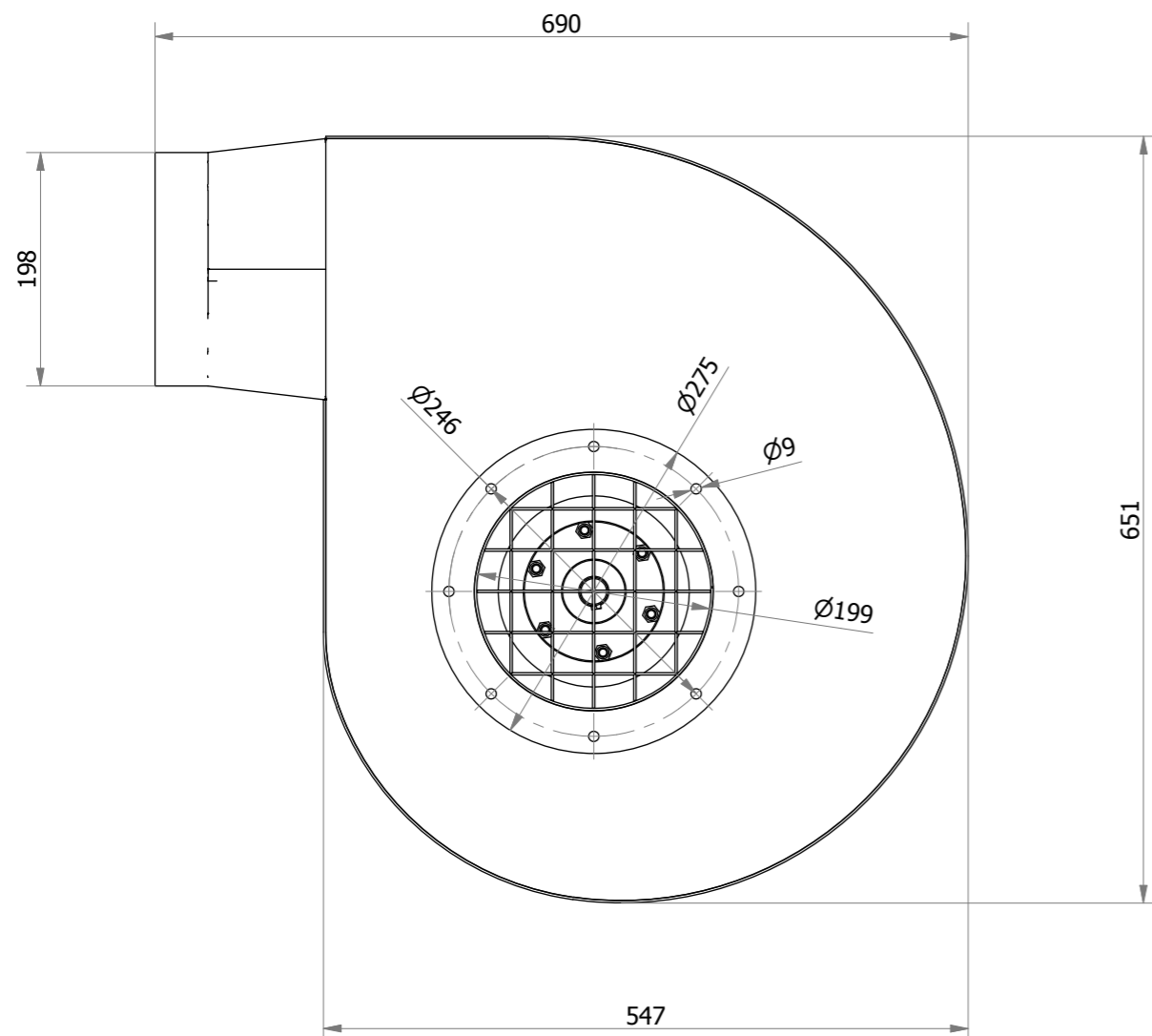
A = 770  
B = 700  
H = 580  
weight = 48 kg

All dimensions are given in mm.

Menegon Sp z o.o.  
Mokry Dwór 6C, 80-021 Wiślnia, Polska  
tel.: +48 58 3012838, fax +48 58 3059324  
info@menegon.com.pl, www.menegon.com.pl



All rights reserved. This document including constructional and technical information as well as Oskar Air Products, Menegon and czystepowietrze.pl trademarks and brand names are law protected and are property of Menegon Sp. z o.o.



ZWR-05 with WS-200 wall mounting bracket

